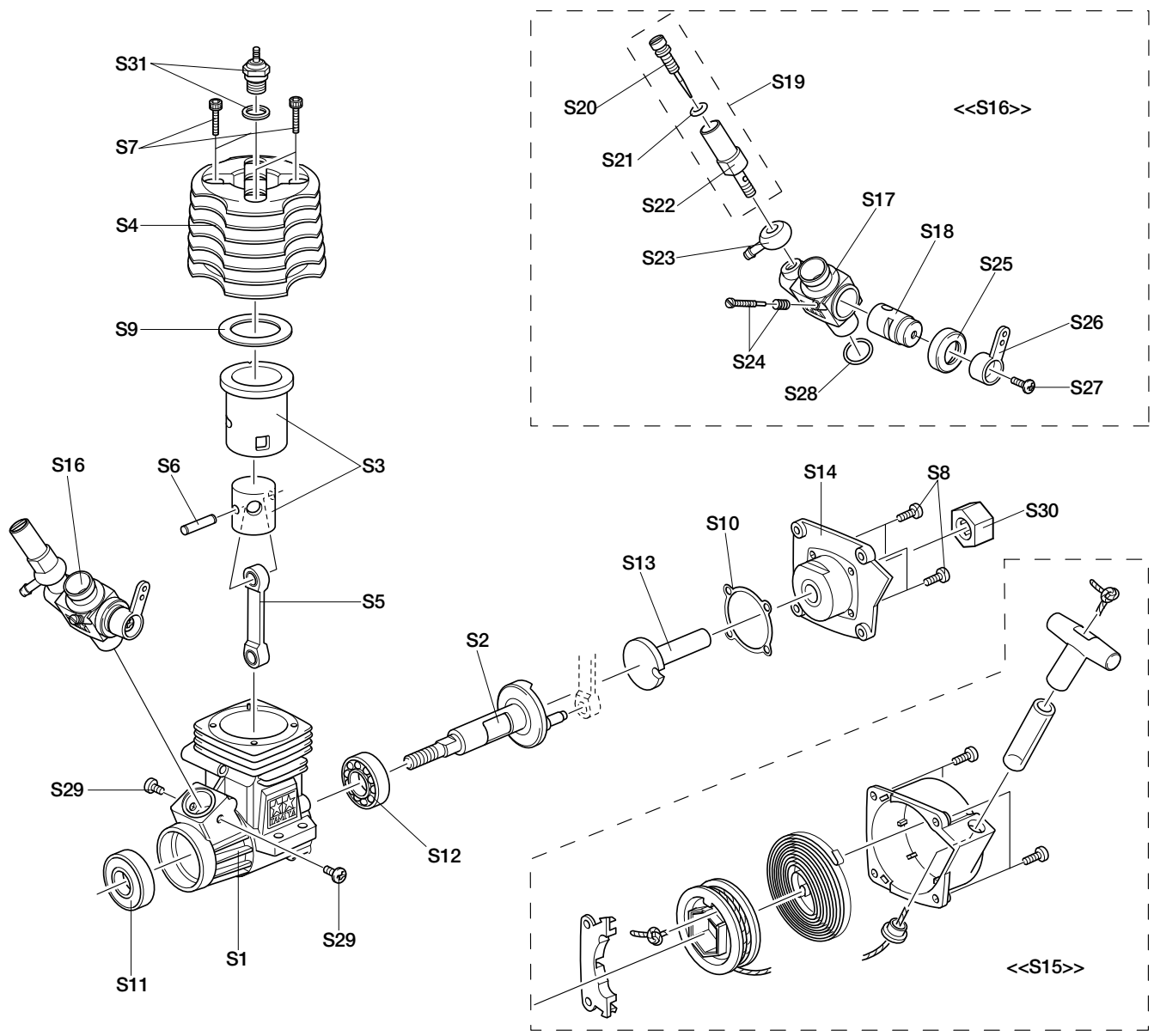


TAMIYA FS-12SS ENGINE



- | | |
|---------------------------------|---|
| S1 Crank case | S17 Carburetor |
| S2 Crank shaft | S18 Carburetor rotor |
| S3 Cylinder unit | S19 Needle valve unit |
| S4 Heat sink head | S20 Needle |
| S5 Connecting rod | S21 O-ring for needle |
| S6 Piston pin | S22 Needle holder |
| S7 Screws for heat sink head | S23 Fuel inlet |
| S8 Screws for rear adapter | S24 Idle adjustment screw & spring |
| S9 Head gasket | S25 Dust cover |
| S10 Rear adapter gasket | S26 Throttle arm |
| S11 Crank shaft bearing (front) | S27 Throttle arm fixing screw |
| S12 Crank shaft bearing (rear) | S28 Carburetor gasket |
| S13 Starting shaft | S29 Carburetor fixing screws |
| S14 Rear adapter | S30 One-way bearing for recoil starter unit |
| S15 Recoil starter unit | S31 Plug & plug washer |
| S16 Carburetor assembly. | |

Customer service replacement parts
Ersatzteil-Kundendienst
Service Pièces Détachées

- Contact your local dealer/agent for parts not described in instructions.
- Wenden Sie sich bezüglich nicht in der Anleitung beschriebener Teile an Ihren örtlichen Fachhändler.
- Contacter le revendeur ou agent local pour les pièces non mentionnées dans les instructions.